

# ENGINEER TO ORDER

## SPECIAL PROJECT INFORMATION SHEET



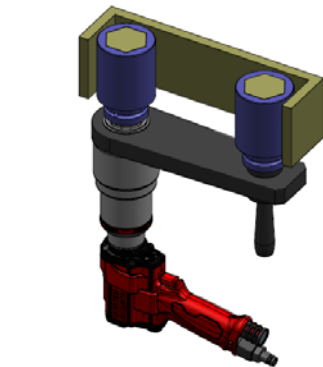
Project Description	Set of special reactions to fit PTS-92-4000 for Locomotive use		
Date created	October 2018	Project Number	Q4463

### INTRODUCTION & APPLICATION

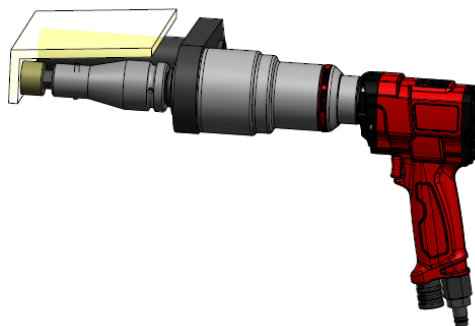
Railway industry maintenance requirement for bolting / unbolting fuel tank & traction motor to locomotive.



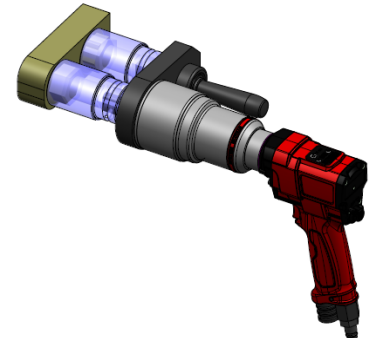
### SOLUTION



Application 1



Application 2



Application 3

### TECHNICAL SPECIFICATION / DATA HIGHLIGHTS

- Application 1) Q4463.01 Sliding reaction with 1.0" slave square & 220-230mm CRS travel, 4,000 N.m.  
 Application 2) Q4463.02 Fixed slave tube reaction with 40mm bore at 140mm CRS, 1,000 N.m.  
 + Special 19mm male hexagon drive with 1" female square, 1,000 N.m.  
 Application 3) Q4463.03 Sliding reaction with 1.0" slave square & 80-84mm CRS travel, 1,000 N.m.  
 All reactions to fit 92-4000 series tool.